



RMS 225w

MAX 450w

MAX PM2-64

A MELTING POT OF PERFORMANCE

The MAX PM2-64 is the boldest midrange driver yet from GAS, built for serious audio fanatics. At its heart, you'll find a powerful 46.5 Oz high-quality ferrite magnet. The diameter of the magnet is 140mm, and that's bigger than the magnet on the 12" MAD S1 subwoofer! All this magnet capacity is driving an A3D paper cone that measures in at 6.7 inches. With a CCAW voice coil wire wound around a TIL former and a precision copper shorting ring, you get extremely low distortion. Every component of this speaker, from the basket to the rubber boot, is crafted for peak performance and bulletproof durability.

UNLEASH TRUE MIDRANGE MAYHEM

Looking to push your sound system further? The MAX PM2-64 dominates the entire midrange spectrum, delivering vocals with extreme clarity and instruments with knockout punch. The sensitivity clocks in at a fierce 101dB and that is a proof that this driver doesn't hold back. Thanks to the 2R cloth mix suspension and polycotton/Nomex spider, the speaker delivers fast transient response with a lot of dynamics in a perfect harmony. Even when things get really loud.

CRANK IT UP, MAX IT OUT

Some speakers wilt under pressure. Not this one. The MAX PM2-64 stands firm, built around a hardcore steel T-bone basket with a rugged sand paint finish tough enough to match its attitude. Underneath, our custom A-Star ventilation system keeps things cool when the pressure's on, so you get relentless output without compromise.

BUILT TO IMPRESS. DESIGNED TO ENDURE.

We know you're serious about your setup - and we are too. That's why we've included a protective hex grill with an eye-catching aluminum badge, so your new favorite speaker stays safe and stylish. Plus, our exclusive CD Crosshead terminal supports up to 10mm² (8 AWG) cable, giving you the freedom to go big with your SPL build. Because when chasing decibels, moderation is overrated. After all, more is definitely more.

SPECIFICATIONS

MAX PM2-64

Component	SPL Midwoofer
Size	6.7" (170mm)
Nominal Impedance	4 Ohm
Power RMS	225W
Power MAX	450W
Freq. response	110-12800Hz
Sensitivity	101dB
Voice Coil	1.52" (38.6mm) TIL / CCAW
Cone	A3D paper
Spider	HQ Polycotton /Nomex
Shorting ring	Copper
Basket	T-bone steel
Magnet	HQ Ferrite (46.5oz)
Suspension	2R Cloth Mix
Terminal	CD Crosshead

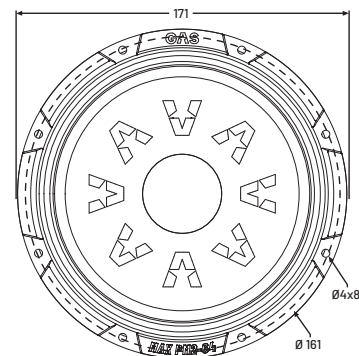
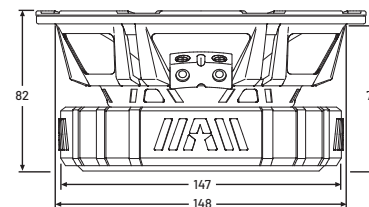
PARAMETERS

Impedance	4 Ohm
Re	3.2 Ohm
Fs	128Hz
Qms	9.619
Qes	0.34
Qts	0.33
Vas	5.59L
Mms	9.28g
Cms	0.162mm/M
Bl	8.43Tm

INCLUDED ACCESSORIES

Speaker grill	1pc
Screws	8pcs
V-clips	8pcs
Manual	1pc

DIMENSIONS (mm)



IMPEDANCE VS FREQUENCY

