



POWER
RMS **70_w**
MAX **140_w**

MAX PT2-384

WELCOME TO THE NEXT LEVEL

This beast of a tweeter will give you all the performance you'll need. We've combined a diaphragm made of Macromolecule Composite (MMC) material with a copper shorting ring for ultra-low distortion.

MORE THAN JUST A HUGE TWEETER

Experience every part of the tweeter spectrum all the way to - and beyond - 20.000Hz. It's a truly exciting tweeter with a dynamic and crisp sound that delivers loads of details.

A NEW LEVEL OF SPL

You'll want to dial that volume knob beyond 11. Going berserk demands two things: tough materials and a cool design. The horn is made of aluminum with black industrial sand paint to make it look as good as it plays.

WE'VE ADDED SOME EXTRAS

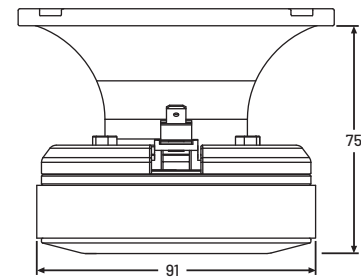
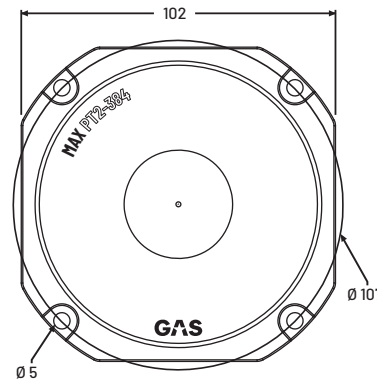
Take care of the things you love, so we've included a 6dB passive crossover with a 3.3uF 250V MKT capacitor to protect your new favorite tweeter. The S2 terminal lets you connect the speaker cables with flat pin connectors or fork terminals.

SPECIFICATIONS

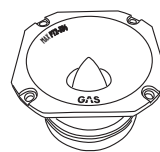
MAX PT2-384	
Component	SPL Tweeter
Woofer size	1.5" (38mm)
Nominal impedance	4 Ohm
Power RMS	70W
Power MAX	140W
Freq. response	2000-30000Hz
Sensitivity	109dB
Voice coil	1.5" CCAW

//////A\\\\\\	
Housing	Aluminum
Cone	Macromolecule comp. diaphragm
Magnet	HQ Ferrite
Shorting ring	Yes, copper
Capacitor	3.3uF MKT 250V
Terminal	CD crosshead

DIMENSIONS (mm)



PARTS INCLUDED



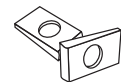
Tweeter (1pc)



Capacitor (1pc)



Screws (4pcs)



V-type clips (4pcs)



Manual (1pc)