

SPECIFICATIONS

MAD K1-64

Component	Component kit
Woofer size	6,5" (165mm)
Tweeter size	0,8" (20mm)
Nominal impedance	4 Ohm
Power RMS	80W
Power MAX	160W
Freq. response	65-20 000Hz
Sensitivity	90dB

MAD K1-64 TWEETER

Tweeter dome	Silk
Tweeter magnet	Neodymium
FS	1735Hz
Sensitivity	91dB

MAD K1-64 CROSSOVER

Type	High pass
Slope	6dB
Cut off	5500Hz

MAD K1-64 WOOFER

Woofer cone	IMPP
Woofer basket	Resonance Free Steel
Woofer suspension	NBR Rubber
Woofer magnet	Ferrite
Woofer spider	Nomex/Cotton
FS	77,88Hz
VAS	10,6L
QTS	1,03
QES	1,285
QMS	5,19
RE	2,99 Ohm
Sensitivity	89dB

MAD K1-64

A MAD SPEAKER TO FIT EVERY NEED

There's nothing better than replacing that old dusty wannabe speaker that's been hiding behind your door panel. Did your old speakers break 'cause they couldn't handle your level of LOUD? Good! Time for an upgrade. Our goal with the K1 series component kit is to give you as much sound as possible, without breaking the bank.

MAKE YOUR CAR FEEL LIKE NEW AGAIN

Just the way you like it, just the way your car wants it - uncomplicated, LOUD and made to fit like a glove. For crisp and clear highs, we've included a 20mm silk dome tweeter with a Neodymium magnet and an inline crossover. Included with the K1 series are three different multiple mounting accessories for the tweeter. Choose your tweeter location without holding back, LOUD upgrades fit everywhere!

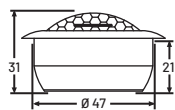
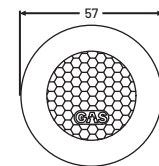
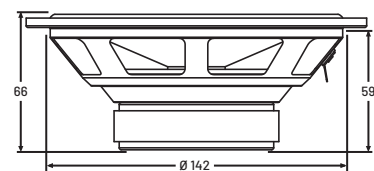
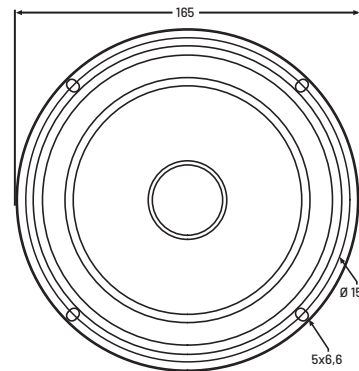
DESIGNED TO BE DURABLE

Our research department has truly gone MAD! For our MAD S2 subwoofers we developed a new kind of IMPP cone, and we decided that it was so good - we brought it over to the K1 series. We've also added a hard PP dust cap, with a convex shape for better high frequency dispersion and off-axis response. This means that the K1 series speakers are durable, moist proof and ready to kick some ass!

SWEDISH DESIGN, MAD SENSIBILITIES

The 25mm KSV voice coil is wound with lightweight CCAW (Copper Clad Aluminum Wire) that creates a dynamic sound, and the woofer surround is made out of resistant soft butyl. Since the Swedish weather encompasses all different seasons - the K1 series is designed to withstand them all. Hot, cold, UV rays - it doesn't matter. It's MAD and it's made to play LOUD, no matter the circumstances!

DIMENSIONS (mm)



PARTS INCLUDED



Speakers
(2pcs)



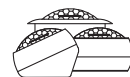
Grills
(2pcs)



Tweeters
(2pcs)



Crossovers
(2pcs)



Tweeter houses
(6pcs)



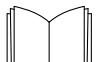
Glue pads
(2pcs)



V-type clips
(12pcs)



Screws
(12pcs)



Manual